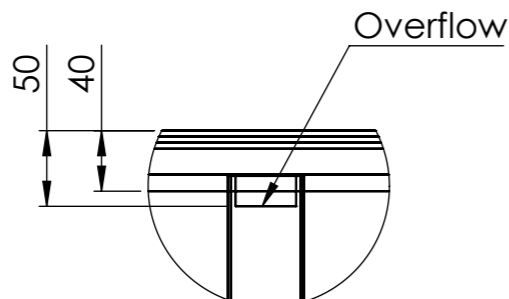
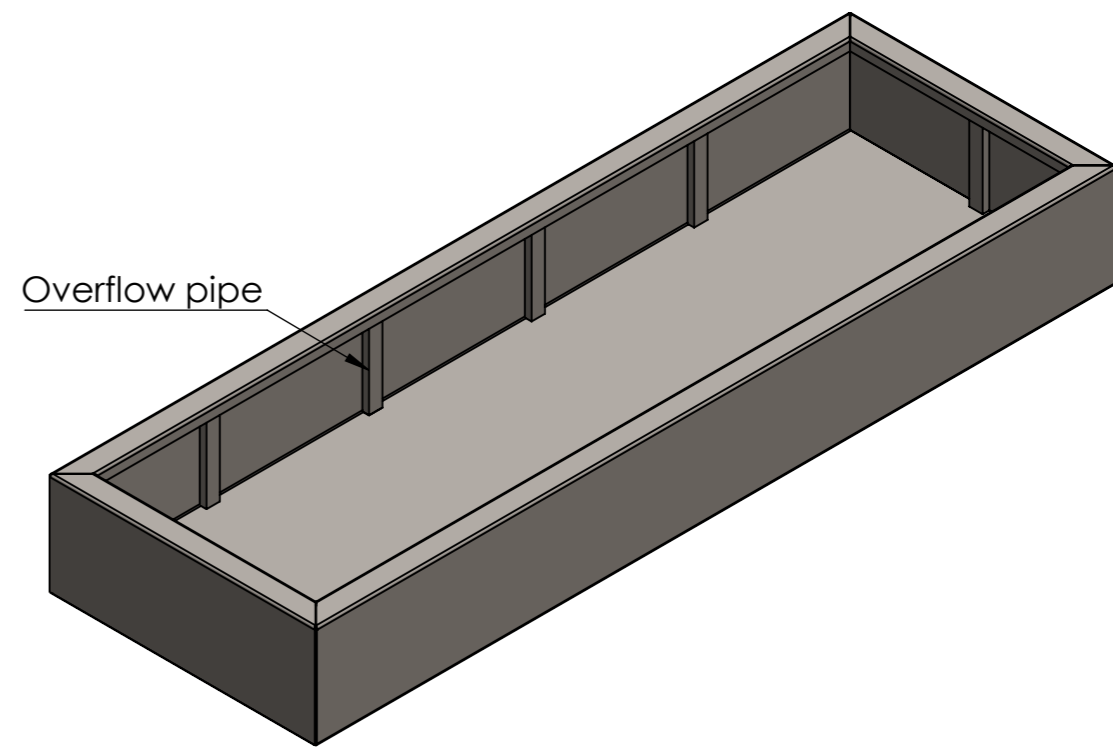


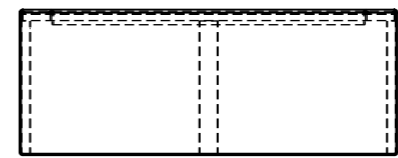
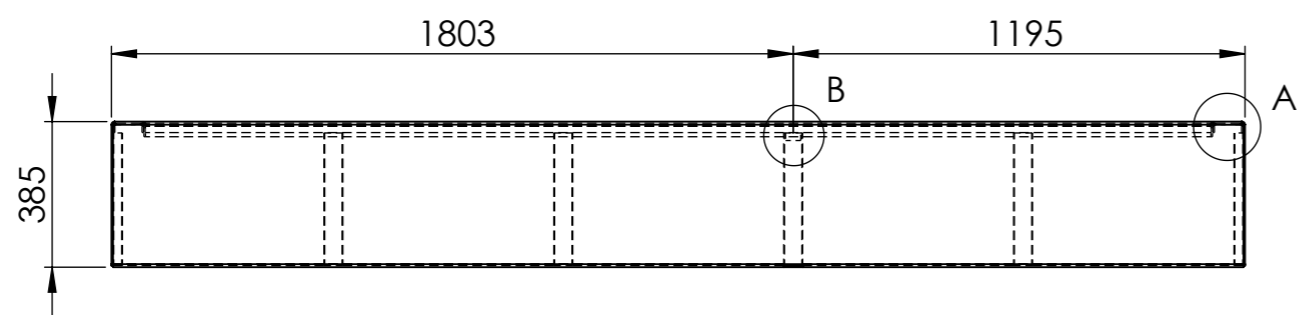
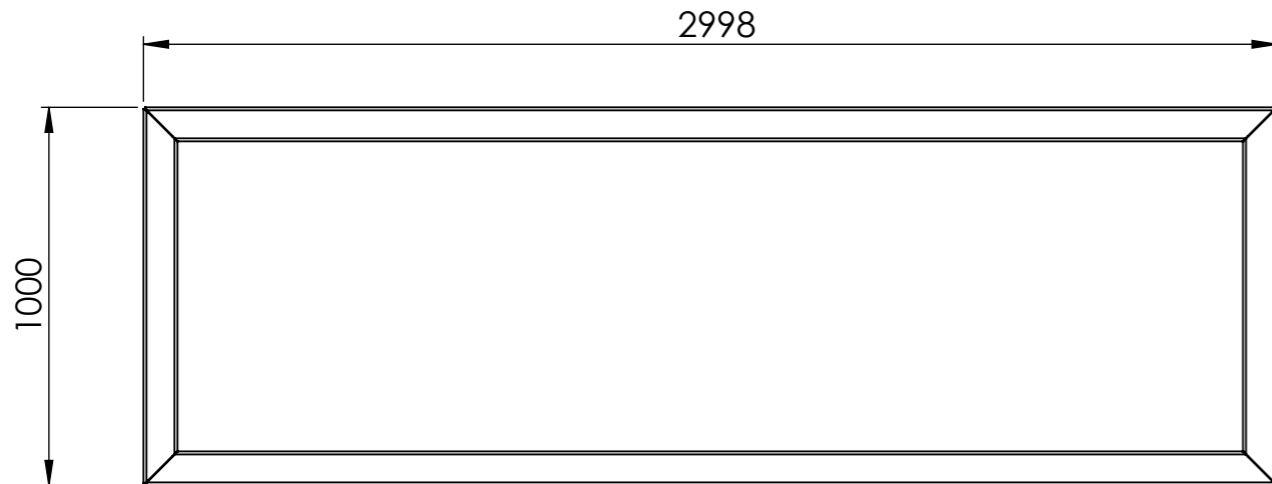
DETAIL A
SCALE 1 : 5



DETAIL B
SCALE 1 : 5



Overflow pipe



| | | | | | | | |
|----------|---------------------|--|--------------|--|------------|---------------|----|
| DRAWN | Luuk van den Heuvel | DATE | 23-5-2023 | | TITLE: | Aluminum 4mm | |
| REVISION | | | | | Drawing: | VA6.1 | A3 |
| | | Liessentstraat 4, 5405 AG Uden (NL). † 0031 (0)413 - 27 41 68. e info@adezz.com, i www.adezz.com | | | SCALE:1:20 | SHEET 1 OF 10 | |
| Color: | - | Mass (kg): | 86.66 | | | | |